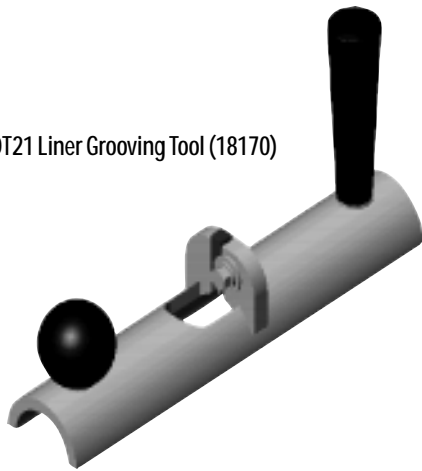


DT21 Liner Grooving Tool

Grooving tool simplifies access to collected sample material.

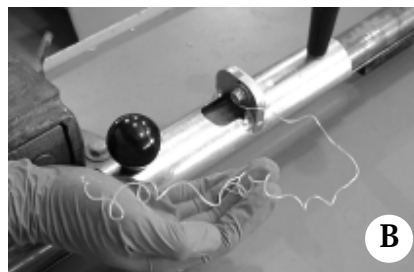
The Dual Tube 21 Liner Grooving Tool (18170) improves the liner cutting process by creating a deep groove into the sample liner. After the groove is made, the sample liner can be safely and easily cut with a utility knife and the sample material can then be removed. A holding device cradles the filled liner and keeps the liner in place during the grooving/cutting process. This tool is a must to have during the sample retrieval process. Dual tube liners require thicker walls for proper operation and this tool helps operators to efficiently and safely cut through the thicker liners. As shown in Photo D, a second groove was made with the grooving tool so a portion of the liner could be peeled away.

DT21 Liner Grooving Tool (18170)



DT21 Liner Grooving Tool Operation ...

- (A) Place the filled liner on the holding device (DT liners will flex under load so it is necessary to use the holding device for successful grooving), then place the grooving tool on the liner 0.25 in. (6 mm) from the end of the liner.
- (B) Pull the grooving tool across the liner, guiding its progress with the rear, tapered handle. At this point, a second groove can be made a few inches away from the first groove.
- (C) Holding a utility knife at an angle tangent to the liner, insert the blade into the groove and follow the groove to the end of the liner.
- (D) Pull back the cut portion of the liner to expose the sample material.



Geoprobe® Systems

DT21 Liner w/Core Catcher

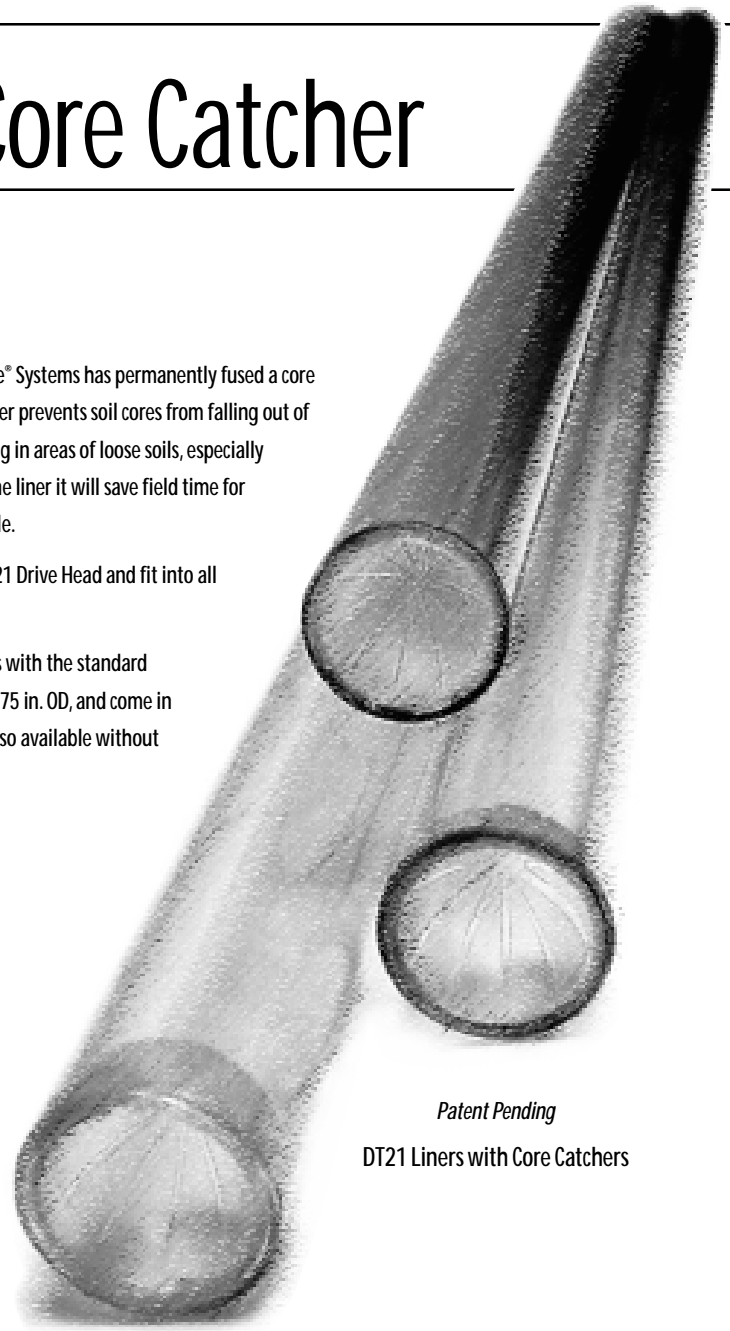
Geoprobe® Systems

Improved dual tube sampling in non-cohesive soils

No more empty liners. No more nasty surprises. Geoprobe® Systems has permanently fused a core catcher to the Dual Tube 21 liners. The integrated core catcher prevents soil cores from falling out of the DT21 liner during sample retrieval. It's great for sampling in areas of loose soils, especially saturated sands. By fusing the core catchers directly on to the liner it will save field time for operators and make sampling in problem soils less of a hassle.

The liners, made of PETG, attach directly to a standard DT21 Drive Head and fit into all standard DT21 Cutting Shoes.

No new tooling or adapters are needed to use these liners with the standard Geoprobe® DT21 Soil Sampling System. The liners have a 1.375 in. OD, and come in lengths of 36 in., 48 in., and 1 meter. DT21 PETG liners are also available without the core catcher attached.



Patent Pending

DT21 Liners with Core Catchers

DUAL TUBE 21 LINERS & ACCESSORIES

DT21 Liner with Core Catcher, PETG, 48 in. (1219 mm), Box of 50	DT4148K
DT21 Liner with Core Catcher, PETG, 36 in. (914 mm), Box of 50	DT4136K
DT21 Liners with Core Catcher, PETG, 1 m., Box of 50	DT4139K
DT21 Liner, PETG, 48 in. (1219 mm) length, Box of 50	DT4048K
DT21 Liner, PETG, 36 in. (914 mm) length, Box of 50	DT4036K
DT21 Liners, PETG, 24 in. (610 mm) length, Box of 50	DT4024K
DT21 Liners, PETG, 1 m length, Box of 50	DT4039K
DT21 Vinyl End Caps, 50 pair	DT4026K

Geoprobe® Systems
Designing A Better Way

1-800-436-7762

www.geoprobe.com • info@geoprobe.com