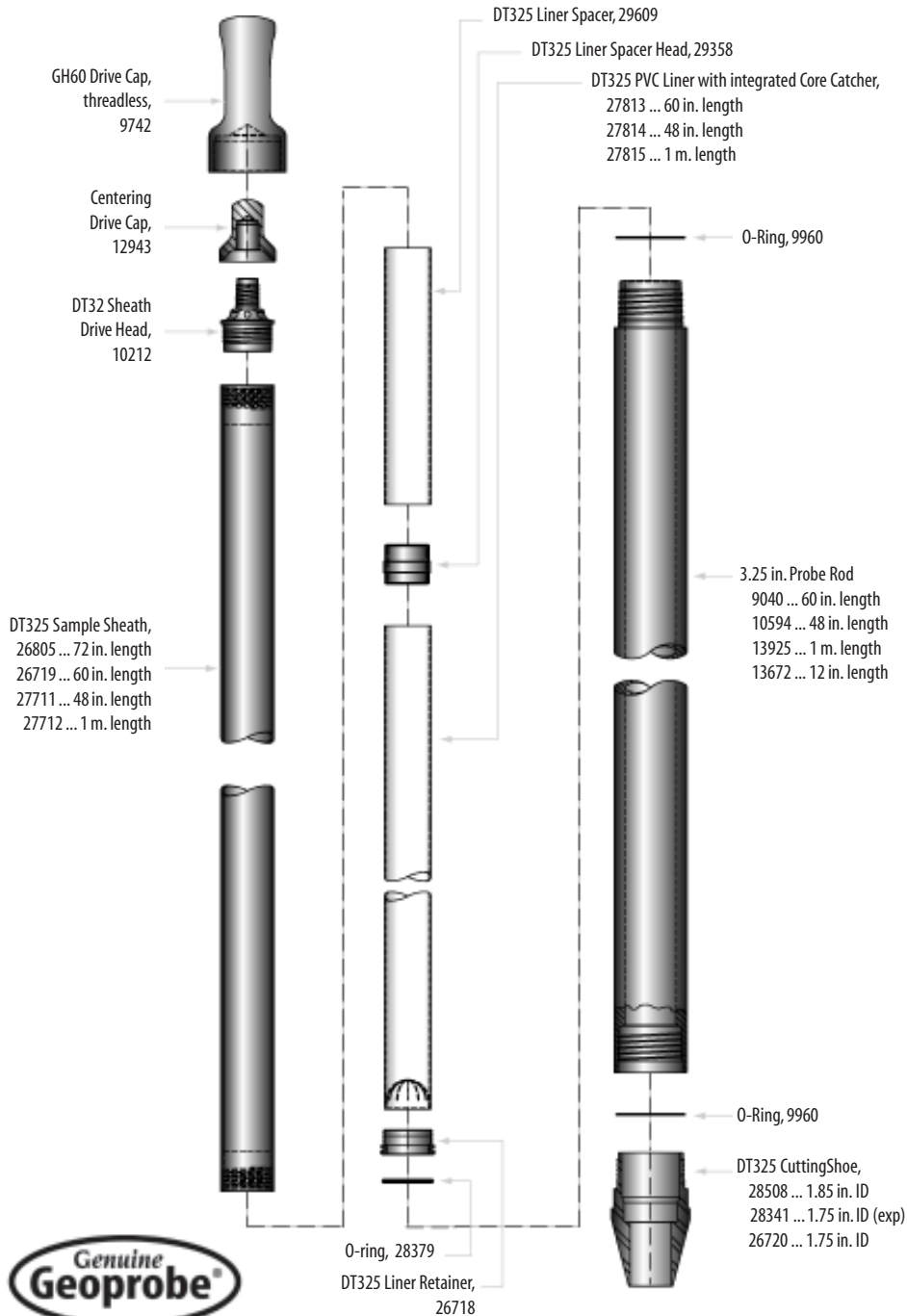


DT325 Tool Configuration



DT325 ... 112006

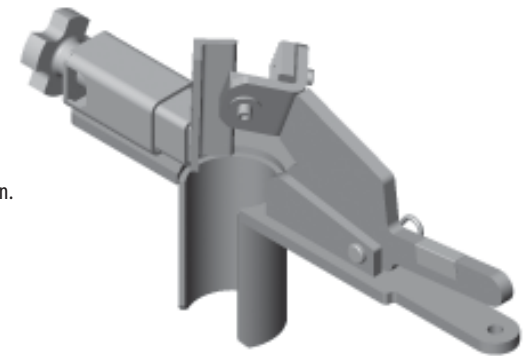
DT325 Soil Sampling System ... Parts Listing

- 28508 ... DT325 Cutting Shoe, standard, 1.85 in. ID
- 28509 ... DT325 Solid Drive Tip Assembly, standard, 1.85 OD, w/O-rings (use with 28508)
- 13942 ... O-rings for DT325 Solid Drive Tip, Pkg. of 25
- 28341 ... DT325 Cutting Shoe, expendable, w/ O-ring, 1.75 in. ID
- 27763 ... DT325 Solid Drive Tip Assembly, expendable, w/O-rings (use with 28341)
- 28339 ... DT325 Expendable Cutting Shoe Holder
- 26720 ... DT325 Cutting Shoe, optional, 1.75 in. ID
- 27763 ... DT325 Solid Drive Tip Assembly, optional, w/O-rings (use with 26720)
- 13942 ... O-rings for DT325 Solid Drive Tip, Pkg. of 25
- 26718 ... DT325 Liner Retainer
- 28379 ... O-rings for DT325 Liner Retainer, Pkg. of 25
- 27838 ... DT325 Liner Retainer Wrench
- 26805 ... DT325 Sample Sheath, 72 in.
- 26719 ... DT325 Sample Sheath, 60 in.
- 27711 ... DT325 Sample Sheath, 48 in.
- 27712 ... DT325 Sample Sheath, 1 m.
- 27813 ... DT325 PVC Liner w/ Core Catcher, 60 in., Box of 42
- 27814 ... DT325 PVC Liner w/ Core Catcher, 48 in., Box of 42
- 27815 ... DT325 PVC Liner w/ Core Catcher, 1 m., Box of 42
- 29609 ... DT325 PVC Liner Spacer, 11.5 in.
- 29358 ... DT325 Liner Spacer Head
- 17762 ... DT325 Vinyl End Caps, 42 pair
- 26155 ... DT325 Liner Cutter



Associated Tooling ...

- 27216 ... Adjustable Rod Clamp Assembly
- 10212 ... DT32 Sheath Drive Head, 1.25 in.
- 9742 ... Drive Cap, GH60, threadless, 3.25 in.
- 12943 ... Drive Cap, self-centering, 1.25 in.
- 9040 ... 3.25 in. Probe Rod, 60 in.
- 10594 ... 3.25 in. Probe Rod, 48 in.
- 13925 ... 3.25 in. Probe Rod, 1 m.
- 13672 ... 3.25 in. Probe Rod, 12 in.
- 27600 ... 1.25 in. Light-Weight Center Rod, 60 in.
- 21900 ... 1.25 in. Light-Weight Center Rod, 48 in.
- 24959 ... DT325 Adapter for Hydraulic Liner Extruder
- 23977 ... DT325 Plunger for Hydraulic Liner Extruder
- 22734 ... Universal Liner Holder



Call Geoprobe® Customer Service today if you have questions about the DT325 System.



Better by Design
1-800-436-7762
www.geoprobe.com